

21-18RS

Original Instructions

GENERAL WARNINGS & DISPOSAL



To reduce the risk of injury, the user must read the instruction manual.



This symbol is used throughout this manual to warn the user about potential risks. Please read & understand these sections before using the device.



Personal Protective Equipment (P.P.E.), such as ear defenders, eye protection, safety gloves and a dust mask, must be worn during the operation of the device.



The device must not be exposed to rain or immersed in water.



Do not allow any part of the device to come into contact with flames, or to catch fire.



Do not expose battery pack or tool to fire or excessive temperatures.



Li

Do not dispose of batteries in household waste. Return exhausted batteries to a local collection or recycling point.



This product has been marked with a symbol relating to removing electric and electronic waste. The product should not be discarded with household waste but must be returned to a collection system which conforms to the EU Directive 2012/19/EU or the UK Waste Electrical and Electronic Equipment Regulations 2013. It will then be recycled or dismantled in order to reduce the impact on the environment. Electric and electronic equipment can be hazardous for the environment and for human health since they contain hazardous substances.

The month and year of manufacture can be found within the product serial number e.g. MMYYPXXX. Where production month (MM) and production year (YY) are included.

JCB-18RS Designation of the tool: 18 - 18Vdc, RS - Reciprocating Saw



Contents

GENERAL POWER TOOL SAFETY WARNINGS	4
1. Work area safety	4
2. Electrical safety	4
3. Personal safety	4
4. Power tool use and care	5
5. Battery tool use and care	5
6. Service	6
TOOL SPECIFIC SAFETY WARNINGS	7
Additional Safety Rules For Saw Tools	7
Kickback Causes And Related Warnings	7
CHARGER SAFETY	9
COMPONENT LIST	10
TOOL TECHNICAL DATA	10
BATTERY TECHNICAL DATA	11
CHARGER TECHNICAL DATA	11
NOISE INFORMATION	11
VIBRATION INFORMATION	12
OPERATING INSTRUCTIONS	13
Intended Use	13
Battery	13
Saw Blade Installation and Removal	14
ON/OFF Trigger	14
Cutting Action Selection	15
Adjusting Pivoting Shoe Plate	15
Sawing	15
MAINTENANCE	15
Transport and Storage	16
WARRANTY STATEMENT	18
Terms and Conditions	18
EU/UK DECLARATION OF CONFORMITY	20



GENERAL POWER TOOL SAFETY WARNINGS

WARNING!

Read all safety warnings, instructions and specifications provided with this power tool. Failure to follow all instructions listed below may result in electric shock, fire and/or serious injury. **Save all warnings and instructions for future reference.**

The term “power tool” in the warnings refers to your mains operated (corded) power tool or battery operated (cordless) power tool.

1. Work area safety

> **Keep work area clean and well lit.**

Cluttered or dark areas invite accidents.

> **Do not operate power tools in explosive atmospheres, such as in the presence of flammable liquids, gases or dust.** Power tools create sparks which may ignite the dust or fumes.

> **Keep children and bystanders away while operating a power tool.** Distractions can cause you to lose control.

2. Electrical safety

> **Power tool plugs must match the outlet. Never modify the plug in any way. Do not use any adapter plugs with earthed (grounded) power tools.** Unmodified plugs and matching outlets will reduce risk of electric shock.

> **Avoid body contact with earthed or grounded surfaces, such as pipes, radiators, ranges and refrigerators.** There is an increased risk of electric shock if your body is earthed or grounded.

> **Do not expose power tools to rain or wet conditions.** Water entering a power tool will increase the risk of electric shock.

> **Do not abuse the cord. Never use the cord for carrying, pulling or unplugging the power tool. Keep the cord away from heat, oil, sharp edges or moving parts.**

Damaged or entangled cords increase the risk of electric shock.

> **When operating a power tool outdoors, use an extension cord suitable for outdoor use.** Use of a cord suitable for outdoor use reduces the risk of electric shock.

> **If operating a power tool in a damp location is unavoidable, use a residual current device (RCD) protected supply.** Use of an RCD reduces the risk of electric shock.

3. Personal safety

> **Stay alert, watch what you are doing and use common sense when operating a power tool. Do not use a power tool while you are tired or under the influence of drugs, alcohol or medication.** A moment of inattention while operating power tools may result in serious personal injury.

> **Use personal protective equipment. Always wear eye protection.** Protective equipment such as a dust mask, non-skid safety shoes, hard hat or hearing protection used for appropriate conditions will reduce personal injuries.

> **Prevent unintentional starting. Ensure the switch is in the off position before connecting to power source and/or battery pack, picking up or carrying the tool.** Carrying power tools with your finger on the switch or energising power tools that have the switch on invites accidents.

- **Remove any adjusting key or wrench before turning the power tool on.** A wrench or a key left attached to a rotating part of the power tool may result in personal injury.
- **Do not overreach. Keep proper footing and balance at all times.** This enables better control of the power tool in unexpected situations.
- **Dress properly. Do not wear loose clothing or jewellery. Keep your hair and clothing away from moving parts.** Loose clothes, jewellery or long hair can be caught in moving parts.
- **If devices are provided for the connection of dust extraction and collection facilities, ensure these are connected and properly used.** Use of dust collection can reduce dust-related hazards.
- **Do not let familiarity gained from frequent use of tools allow you to become complacent and ignore tool safety principles.** A careless action can cause severe injury within a fraction of a second.

4. Power tool use and care

- **Do not force the power tool. Use the correct power tool for your application.** The correct power tool will do the job better and safer at the rate for which it was designed.
- **Do not use the power tool if the switch does not turn it on and off.** Any power tool that cannot be controlled with the switch is dangerous and must be repaired.
- **Disconnect the plug from the power source and/or remove the battery pack, if detachable, from the power tool before making any adjustments, changing accessories, or storing power tools.** Such preventive safety measures reduce the risk of starting the power tool accidentally.
- **Store idle power tools out of the reach of children and do not allow persons unfamiliar with the power tool or these instructions to operate the power tool.** Power tools are dangerous in the hands of untrained users.
- **Maintain power tools and accessories. Check for misalignment or binding of moving parts, breakage of parts and any other condition that may affect the power tool's operation. If damaged, have the power tool repaired before use.** Many accidents are caused by poorly maintained power tools.
- **Keep cutting tools sharp and clean.** Properly maintained cutting tools with sharp cutting edges are less likely to bind and are easier to control.
- **Use the power tool, accessories and tool bits etc. in accordance with these instructions, taking into account the working conditions and the work to be performed.** Use of the power tool for operations different from those intended could result in a hazardous situation.
- **Keep handles and grasping surfaces dry, clean and free from oil and grease.** Slippery handles and grasping surfaces do not allow for safe handling and control of the tool in unexpected situations.

5. Battery tool use and care

- **Recharge only with the charger specified by the manufacturer.** A charger that is suitable for one type of battery pack may create a risk of fire when used with another battery pack.
- **Use power tools only with specifically designated battery packs.** Use of any other battery packs may create a risk of injury and fire.



- **When the battery pack is not in use, keep it away from other metal objects, like paper clips, coins, keys, nails, screws or other small metal objects that can make a connection from one terminal to another.** Shorting the battery terminals together may cause burns or a fire.
- **Under abusive conditions, liquid may be ejected from the battery; avoid contact. If contact accidentally occurs, flush with water. If liquid contacts eyes, additionally seek medical help.** Liquid ejected from the battery may cause irritation or burns.
- **Do not use a battery pack or tool that is damaged or modified.** Damaged or modified batteries may exhibit unpredictable behaviour resulting in fire, an explosion or risk of injury.
- **Do not expose a battery pack or tool to fire or excessive temperature.** Exposure to fire or temperature above 130 °C may cause explosion.
- **Follow all charging instructions and do not charge the battery pack or tool outside the temperature range specified in the instructions.** Charging improperly or at temperatures outside the specified range may damage the battery and increase the risk of fire.

6. Service

- **Have your power tool serviced by a qualified repair person using only identical replacement parts.** This will ensure that the safety of the power tool is maintained.
- **Never service damaged battery packs.** Service of battery packs should only be performed by the manufacturer or authorized service providers.

- **Power tools should be inspected periodically to verify that the ratings and markings are legibly marked on the tool:** The user shall contact the manufacturer to obtain replacement marking labels where necessary.

TOOL SPECIFIC SAFETY WARNINGS

- > **Wear ear protectors.** Exposure to noise can cause hearing loss.
- > **Wear impact-resistant eye protection.** The grade of protection required should be assessed for each use. Failure of the workpiece, accessories or the saw blade can generate high-velocity projectiles.
- > **Wear suitable gloves to protect hands.** Use of the tool may expose the operator's hands to hazards including cuts, abrasions and heat
- > **Wear a dust mask.** Take protective measures against inhalation of dust. Some materials can contain toxic materials. Also work with dust/ chip extraction when connectable.
- > **Ensure that the saw blade or cutter is properly clamped.** Failure to do so can result in serious bodily injury.
- > **Never hold the workpiece in your hands or across your leg while cutting. Secure the workpiece to a stable platform.** It is important to support the work properly to minimise body exposure, blade binding, or loss of control.
- > **Cutting with these tools creates sharp edges.** Wear gloves to protect hands

Kickback Causes And Related Warnings

- > Kickback is a sudden reaction to a pinched, jammed or misaligned saw blade, causing an uncontrolled saw to lift up and out of the workpiece toward the operator
- > When the blade is pinched or jammed tightly by the kerf closing down, the blade stalls and the motor reaction drives the unit rapidly back toward the operator
- > If the blade becomes twisted or misaligned in the cut, the teeth at the back edge of the blade can dig into the top surface of the wood causing the blade to climb out of the kerf and jump back toward the operator.

Kickback is the result of saw misuse and/or incorrect operating procedures or conditions and can be avoided by taking proper precautions as given below.

Additional Safety Rules For Saw Tools

- > **Hold the power tool by insulated gripping surfaces, when performing an operation where the cutting accessory may contact hidden wiring.** Cutting accessory contacting a "live" wire may make exposed metal parts of the power tool "live" and could give the operator an electric shock.
- > **Keep hands away from cutting area and the blade. Keep your other hand on the insulated motor housing.** If both hands are holding the saw, they cannot be cut by the blade.
- > **Ensure that sparks and metal cuttings are directed so as to not cause a hazard.** Be aware that there is a running-on of the saw blade after the ON/OFF Trigger is released.



- > **Maintain a firm grip with both hands on the saw and position your arms to resist kickback forces. Position your body to either side of the blade, but not in line with the blade.** Kickback could cause the saw to jump backwards, but kickback forces can be controlled by the operator, if proper precautions are taken.
- > **When blade is binding, or when interrupting a cut for any reason, release the trigger and hold the saw motionless in the material until the blade comes to a complete stop. Never attempt to remove the saw from the work or pull the saw backward while the blade is in motion or kickback may occur.**

Investigate and take corrective actions to eliminate the cause of blade binding.
- > **When restarting a saw in the workpiece, centre the saw blade in the kerf so that the saw teeth are not engaged into the material.**

If a saw blade binds, it may walk up or kickback from the workpiece as the saw is restarted.
- > **Support large panels to minimise the risk of blade pinching and kickback.** Large panels tend to sag under their own weight. Supports must be placed under the panel on both sides, near the line of cut and near the edge of the panel.
- > **Do not use dull or damaged blades.**

Unsharpened or improperly set blades produce narrow kerf causing excessive friction, blade binding and kickback.
- > **Blade depth and bevel adjusting locking levers must be tight and secure before making the cut.** If blade adjustment shifts while cutting, it may cause binding and kickback.
- > **Use extra caution when sawing into existing walls or other blind areas.**

The protruding blade may cut objects that can cause kickback.



CHARGER SAFETY

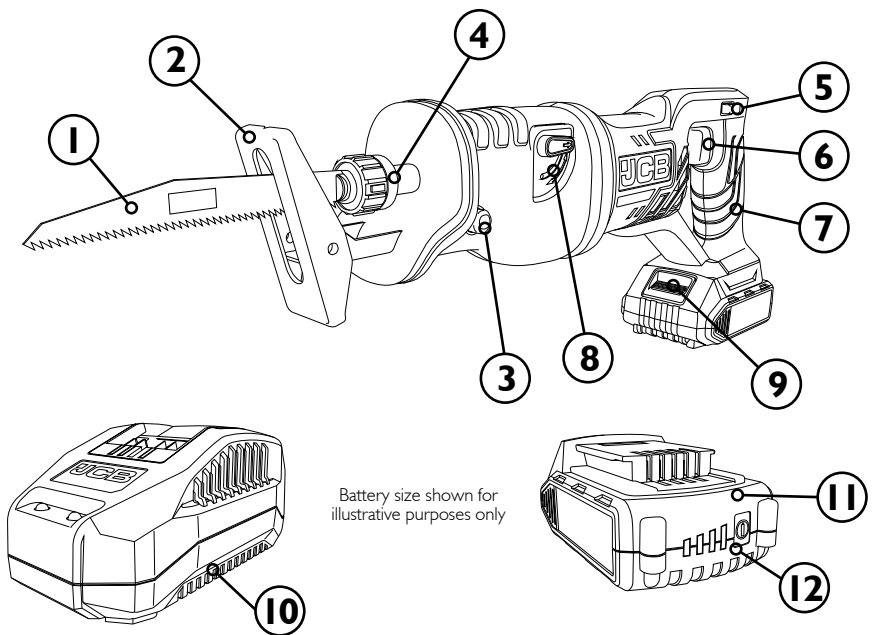
WARNING!

Read all safety warnings, instructions and specifications provided with the charger. Failure to follow all instructions listed below may result in electric shock, fire and/or serious injury. **Save all warnings and instructions for future reference.**

- **To reduce risk of injury, only charge JCB rechargeable batteries.** The charger and battery packs are specifically designed to work together. Other types of batteries may burst causing fire and personal injury.
 - **Do not allow any liquid to get inside the charger.** Electric shock may result.
 - **Do not expose the charger to rain or snow.**
 - **Under certain conditions with the charger plugged into the power supply, the exposed charging contacts inside the charger can be shorted by foreign materials.** Foreign materials of a conductive nature such as, but not limited to, steel, wool, aluminium foil or any buildup of metallic particles should be kept away from charger cavities.
 - **Always unplug the charger from the power supply when there is no battery in the cavity.**
 - **Unplug the charger from the power supply before attempting to clean.**
 - **Do not operate the charger with a damaged cord or plug.** Have them replaced immediately.
- **The ‘Fast’ and ‘SuperFast’ chargers are rated for operation on standard 220-240V AC 50-60Hz household power supplies (note: the Dual charger is rated 100-240V AC 50-60Hz). Do not attempt to use them on any other supply voltage.**
 - **This appliance can be used by children aged from 8 years and above and persons with reduced physical, sensory or mental capabilities or lack of experience and knowledge if they have been given supervision or instruction concerning use of the appliance in a safe way and understand the hazards involved.** Children shall not play with the appliance. Cleaning and user maintenance shall not be performed by children without supervision.
 - **If the supply cord is damaged, it can only be replaced by the manufacturer or an authorised service agent to avoid a potential hazard.**



COMPONENT LIST



Battery size shown for illustrative purposes only

- | | |
|---|---|
| <ul style="list-style-type: none"> 1. BLADE 2. ADJUSTABLE PIVOTING SHOE PLATE 3. SHOE RELEASE BUTTON 4. BLADE CLAMP COLLAR 5. SAFETY INTERLOCK FOR TRIGGER 6. ON/OFF VARIABLE SPEED TRIGGER 7. HAND GRIP | <ul style="list-style-type: none"> 8. PENDULUM (ORBITAL) ACTION SELECTOR SWITCH 9. BATTERY RELEASE BUTTON 10. CHARGER* 11. BATTERY PACK* - PLEASE REFER TO TABLE ON PAGE 11 FOR BATTERY INFORMATION 12. BATTERY TEST BUTTON AND CHARGE INDICATOR |
|---|---|

*If applicable

TOOL TECHNICAL DATA

Voltage	18V DC (From Attached Battery)
Stroke Rate	n_g : 0-3000/min
Stroke Length	20mm
Max. Cutting Depth (wood)	100mm
Product Weight (Body only, w/o battery)	1.95 kg



LITHIUM ION BATTERY TECHNICAL DATA

Battery Code	Battery Size	Voltage	Battery Capacity	Charge Time (Fast Charger)	Charge Time (Super Fast Charger)	Charge Time (Dual Charger)
21-20LI	Small	18V	2.0Ah	45 mins	30 mins	35 mins
21-30LI	Large	18V	3.0Ah	65 mins	40 mins	45 mins
21-40LI	Large	18V	4.0Ah	90 mins	55 mins	60 mins
21-50LI	Large	18V	5.0Ah	110 mins	65 mins	75 mins

Times given as a guide only. Battery charge and discharge times dependant on age, usage and condition.

CHARGER TECHNICAL DATA

Charger Code	Input Power	Output
21-18VFC	220-240V AC, 50-60Hz, 70W	14.4 - 18V d.c. 2.4A
21-18VSFC	220-240V AC, 50-60Hz, 105W	14.4 - 18V d.c. 4.0A
21-18VDC	100-240V AC, 50-60Hz, 200W	20.5V d.c. 2 x 3.5A

NOISE INFORMATION

Total noise values determined according to EN 62841-2-11.

A-Weighted Sound Pressure (LpA)	87 dB(A)
A-Weighted Sound Power (LwA)	98 dB(A)
K_{pA} & K_{wA}	5 dB(A)
Wear ear protection when sound pressure is over 80 dB(A)	

WARNING!

Wear hearing protection. The effects of noise can cause a loss of hearing. The above-mentioned noise emission values were measured in accordance with a standardised test procedure and can be used to compare one power tool with another. The above-mentioned noise emission values can also be used for the preliminary assessment of exposure.

WARNING!

The noise emissions during the actual use of the power tool may differ from the above-mentioned values depending on the power tool being used, in particular on the type of workpiece being processed. Try to keep emissions as low as possible, for example by limiting your working time. In this regard, all the operational cycle phases must be taken into consideration (such as the times when the tool is switched off or running idle).



VIBRATION INFORMATION

Vibration total values (triax vector sum) determined according to EN 62841-1 and EN 62841-2-11

Cutting Board	Vibration Emission Value ($a_{h,B}$)	19.0 ms ⁻²
Cutting Wooden Beams	Vibration Emission Value ($a_{h,M}$)	20.6 ms ⁻²
Uncertainty (K)		1.5 ms ⁻²

WARNING!

The vibration emission value of the power tool is tested under EN 62841-1 and EN 62841-2-11, and can vary during operation depending on the following usage conditions:

- How the tool is used and the materials being cut or drilled.
- The tool being in good condition and well maintained.
- Using the correct accessory for the tool and ensuring it is sharp and in good condition.
- The tightness of the grip on the handles and if any anti-vibration accessories are used.
- The tool being used as intended by its design and these instructions.
- The declared vibration total value may also be used in a preliminary assessment of exposure.

THIS TOOL MAY CAUSE HAND-ARM VIBRATION SYNDROME (HAVS) IF USAGE IS NOT ADEQUATELY MANAGED.

WARNING!

To be accurate, an estimation of exposure level in the actual conditions of use should also take account of all parts of the operating cycle. These include times when the tool is switched off and when it is running idle but not actually doing work. This may significantly reduce the total exposure level over the working period, helping to minimize your vibration exposure risk.

- ALWAYS use sharp and undamaged bits, chisels, drills and blades.
- Maintain this tool in accordance with these instructions and keep well lubricated (where appropriate).
- If the tool is to be used regularly then invest in anti-vibration accessories.
- Avoid using tools in temperatures of 10°C or less.
- Plan your work schedule to spread any high vibration tool use across a number of days.

OPERATING INSTRUCTIONS

Intended Use

This reciprocating saw is intended for cutting and sawing of wood, metal, plastic and other similar materials.

The power tool must not be modified or used for any other purposes than the ones described in these instructions.

Battery

NOTE

Make sure the ON/OFF Trigger (6) is not operated when inserting or removing the battery. Use only JCB batteries: 21-20LI, 21-30-LI, 21-40LI and 21-50LI.

- **Do not use excessive force when inserting the JCB battery in the power tool.** An incorrectly connected battery can damage the battery terminals or the battery socket on the power tool.
- Use the button (11) on the battery to check the charging status; 4 red LEDs indicates fully charged, where 1 indicates low battery status.

Charging The Battery



WARNING!

After charging for the first time, ensure the battery is completely discharged before placing on charge again. Repeat this charging and discharging cycle 4 to 5 times to ensure battery is correctly conditioned.

- Place the battery charger on a level and stable surface. Plug the charger into a suitable power point.

- Connect the battery to the charger so that it clicks into place.
- Refer to the Battery Charge Level table below for battery charger status as indicated by LED lights.
- When the battery pack is fully charged, unplug the charger and remove the battery pack.

Battery Charge Level

Red LED	Green LED	Battery Charge Status
●		Charger is connected to mains power
●	☀	Connected battery is charging
	●	Connected battery is fully charged
☀	☀	Connected battery has a charging fault
☀		Charger is outside correct operating temperature range (<0°C / >40°C)

If the LEDs on the charger do not come on when charging:

- Check that the charger's mains plug is properly inserted into the power point.
- Check that the battery is correctly inserted in the charger.

Connecting the battery

- Connect the battery to the battery socket on the power tool so that it clicks into place.

Removing the battery

- Press the battery release button (9) and remove the battery from the tool.



Saw Blade Installation

WARNING!

Prior to any assembly, adjustment or cleaning operations, always disconnect the power tool either from the power supply or remove the battery as appropriate.

- Only use sizes and types of blades that are recommended by JCB tools: do not use other types or sizes.
- Avoid direct contact with the inserted saw blade during and after use as it can be hot or sharp.
- Inspect the saw blade before use. Do not use saw blades which may have been dropped or which are chipped, cracked or defective.
- Select the correct saw blade for cutting the material in question.
- Rotate the blade clamp collar (4) fully. Insert the blade fully home into the slot in the blade clamp.
- Release the blade clamp collar. The blade collar clamp should now automatically return to its starting position.
- Check that the saw blade is secured correctly in the blade clamp by carefully pulling the saw blade. If the blade clamp collar does not fully return and the saw blade is not secure then repeat the above assembly procedure until the blade is secure.

Saw Blade Removal

- Rotate the blade collar clamp fully and carefully withdraw the blade. Release the blade collar clamp.

ON/OFF Trigger

WARNING!

Before engaging the ON/OFF Variable Speed Trigger, check that the saw blade is correctly fitted in the blade clamp assembly.

- To power on the reciprocating saw, press the safety interlock button (5) and gradually depress the ON/OFF variable speed Trigger (6).

NOTE

The further the Trigger is depressed the higher the speed of the saw.

- To power off the power tool, simply release the ON/OFF Trigger. Note that the safety interlock will then automatically re-engage.

Cutting Action Selection

- The JCB-I8RS has two types of cutting action: straight reciprocating action or pendulum (orbital) action.
- Straight reciprocating action is recommended for metal cutting and also wood cutting where a higher quality of finish is required.
- Pendulum action is recommended for faster cutting of wood where the quality of finish is not an issue.
- To select Pendulum action, set the Pendulum action selector switch (8) to Position 1.
- To select Straight reciprocating action, set the Pendulum action selector switch (8) to Position 0.

Adjustable Pivoting Shoe Plate

- To adjust the Pivoting Shoe Plate (2), press the Shoe Release Button (3) and slide the Pivoting Shoe Plate in (or out) to the desired setting. Disengage the Shoe Release Button and pull on the Pivoting Shoe Plate to check it is securely engaged.

Sawing

- Before cutting any type of material, ensure it is properly secured to prevent slippage and potential accidents.
- Locate the adjustable shoe plate of the reciprocating saw against the work piece at a suitable angle.
- Place the blade in contact with the work piece, operate the safety interlock and gradually depress the ON/OFF Trigger.
- When the saw is at the correct speed, apply pressure to enable cutting to commence.

NOTE

Ensure where possible that the Pivoting Shoe Plate is in good contact with the work piece during cutting. This will help prevent the reciprocating saw from 'kick-back' types of issues.

Overload protection

- When the power tool is overloaded (abnormal high current), the integral electronic control system will automatically protect the motor by switching off the power supply.
- Release the ON/OFF Trigger and wait one or two seconds for the electronics to reset, then restart the power tool.

WARNING!

Do not hold the work piece with your hands.

MAINTENANCE

Cleaning

WARNING!

Switch off the power tool and disconnect the power (remove battery/unplug) before cleaning and maintenance. This helps avoid the risk of electric shocks and accidental starting.

- Wipe the power tool with a dry or damp cloth. **Do not use a wet cloth. Do not use detergent that contains solvent or corrosive, abrasive additives.** This risks damaging the surfaces of the power tool.
- Clear the power tool vents and the blade clamp assembly of dust and dirt after each use. **Do not clean ventilation holes by inserting sharp objects in them, such as screwdrivers and other similar objects.**
- Stubborn contamination in areas hard to access can be removed with compressed air (max 3. bar).
- Regularly check all fasteners, screws and bolts to make sure that they are tight. Tighten any loose screws immediately or serious injury could occur.

Brush inspection

- Brush inspection and replacement should only be performed by an authorised JCB service centre.



Power tool lubrication

- › JCB power tools are properly lubricated in the factory and are ready for use.

Repairs and servicing

- › Power tools should be subject to periodic preventative maintenance to ensure continued safe and reliable operation.
- › If the power tool requires servicing or repair (eg loss of power) do not continue to operate the power tool.
- › Please return the power tool to an authorized JCB service agent or repair centre for service and repair using factory supplied identical replacement parts.

WARNING!

Never open the power tool. The power tool has no internal parts that the user can service or repair. Never try to repair the power tool yourself. Take to an authorised service centre.

Transport and Storage

- › If the power tool will remain unused for any length of time, it should be stored in the original packaging.
- › Store the power tool in a dry, frost-free, well ventilated place with a temperature of no more than 40°C.
- › Keep all tools out of the reach of children.
- › Always switch off the power tool and disconnect it from the power supply (remove the battery/unplug the power cord) before transport.
- › Always carry the tool using the purpose-designed handle.

- › Ensure that the power tool is not at risk of tipping over or exposed to excessive vibration and shocks during transport, especially if the tool will be transported by car or other vehicle.

NOTE

Operating temperature: 0~40 °C

Storage temperature: -20~60 °C





WARRANTY STATEMENT

JCB Power Tools are guaranteed against manufacturing defects for up to 3 years from date of purchase by simply registering your product online within 30 days. Proof of purchase required. This does not affect your statutory rights.

To register your JCB Power Tool, please visit: jcb-tools.com

Online registration is required within 30 days to receive a warranty certificate to activate your standard 3 year warranty. Registration is only available online via www.jcb-tools.com. You will need your original sales receipt, the model number and the serial number (if applicable) of your product. Kits comprising of two or more tools are excluded from single registration and must be registered individually for full warranty cover.

Upon successful registration, a warranty certificate will be available to download, print or save as a PDF document. The relevant warranty certificate together with the original sales receipt will be required in the event of any claim within the warranty period.

Should you choose not to register your product within 30 days of purchase, your statutory consumer rights will not be affected. You will need the original sales receipt as proof of purchase in the event of a warranty claim.

Warranty cover commences from the date of purchase on the retail sales receipt and is valid only for JCB Tools products purchased within the UK bearing the CE and UKCA mark and a visible serial number.

In the unlikely event your JCB Power Tool is subject to a manufacturing fault within the warranty period, JCB Tools may repair the product by replacing defective parts free of charge at our discretion. In the event parts are irreplaceable JCB Tools may replace your product free of charge. The original product will remain the property of JCB Tools in this situation.

The above repair or replacement of products will be undertaken providing that:

- The product has been subject to fair wear and tear only.
- The product has not been subject to accidental or cosmetic damage.

- The product has not been misused and has been used only in accordance with the instruction manual provided.
- The product has not been subject to overload or insufficient servicing and maintenance.
- The product has not been subject to any abnormal environmental conditions or inappropriate operating conditions.
- Repairs have not been attempted by an unauthorised person and no modifications have been made to the product.
- Repairs have not been undertaken using non-genuine spare parts.

JCB Power Tools used for Hire Fleets or as part of B2B and Service Contracts are not covered by these terms and conditions.

JCB Tools 3 Year Warranty excludes the following (where applicable):

- Components normally subject to wear such as carbon brushes.
- Batteries, Chucks and Chargers.
- Accessories and consumable items.
- Cases and tool storage products.

If your product develops a fault within 30 days of purchase, return it to the retailer where it was purchased together with your sales receipt. If a product develops a fault after 30 days a warranty claim must be submitted.

If you have a warranty claim please take your product, original sales receipt and if applicable, a copy of your extended warranty certificate to your place of purchase or nearest JCB Tools retailer.

If you wish to send your product to us directly, please send to JCB Tools, Unit 55, Romsey Industrial Estate, Greatbridge Road, Romsey, Hampshire, SO51 0HR, along with your original receipt and, if applicable, a copy of your extended warranty certificate. Delivery and repair charges may apply at our discretion should the warranty claim be invalid for any of the reasons illustrated above. In the event charges are not accepted the product will be retained by JCB Tools and remain the property of JCB Tools.

The information on both your sales receipt and your extended warranty certificate must match.

JCB TOOLS WILL NOT BE LIABLE FOR ANY INJURIES OR CONSEQUENTIAL DAMAGES RESULTING FROM USE OF THIS PRODUCT.



EU DECLARATION OF CONFORMITY				UK DECLARATION OF CONFORMITY
1.	PRODUCT(S) COVERED BY THIS DECLARATION:	Product: UK Product Code No. EU Product Code No. Factory Reference No.	JCB 18V Cordless Reciprocating Saw JCB-18RS-B, 21-18RS-B JCB-18RS-B-E PLCUL-769	Batch Number: P.O.
2.	IDENTIFICATION DETAILS OF MANUFACTURER:	Name: Address: Country:	Yellow and Black Tools Ltd. (T/A: JCB Tools) Unit 55 Romsey Industrial Estate, Greatbridge Road Romsey, Hampshire SO51 0HR UK	
	AUTHORISED REPRESENTATIVE:	Name: Address: Country:	Authorised Representative Service 77 Camden Street Lower Dublin D02 XE80 Ireland	
3. THIS DECLARATION OF CONFORMITY IS ISSUED UNDER THE SOLE RESPONSIBILITY OF THE MANUFACTURER				
4.	OBJECT OF THE DECLARATION:	Product: Function:	18V Cordless Reciprocating Saw Cutting and Sawing	
5i.	THE OBJECT OF THE DECLARATION DESCRIBED IN POINT 4 IS IN CONFORMITY WITH THE RELEVANT UNION HARMONISATION LEGISLATION:	2006/42/EC	The Machinery Directive	
		2014/30/EU	The Electromagnetic Compatibility Directive	
		2011/65/EU	The Restriction of Hazardous Substances Directive	
5ii.	THE OBJECT OF THE DECLARATION DESCRIBED IN POINT 4 IS IN CONFORMITY WITH THE RELEVANT UK STATUTORY INSTRUMENTS:	2008 No. 1597	The Supply of Machinery (Safety) Regulations 2008	
		2016 No. 1091	The Electromagnetic Compatibility Regulations 2016	
		2012 No. 3032	The Restriction of the Use of Certain Hazardous Substances in Electrical and Electronic Equipment Regulations 2012	
6.	REFERENCES TO THE RELEVANT HARMONISED SAFETY STANDARDS USED OR REFERENCES TO THE OTHER TECHNICAL SPECIFICATIONS IN RELATION TO WHICH CONFORMITY IS DECLARED:	EN 62841-1:2015 EN 62841-2-11:2016 EN 55014-1:2017 EN 55014-2:2015	Electric motor-operated hand-held tools, transportable tools and lawn and garden machinery. Safety. General requirements. Electric motor-operated hand-held tools, transportable tools and lawn and garden machinery. Safety. Particular requirements for hand-held reciprocating saws. Electromagnetic compatibility. Requirements for household appliances, electric tools and similar apparatus. Emission Electromagnetic compatibility. Requirements for household appliances, electric tools and similar apparatus. Immunity.	
7.	ADDITIONAL INFORMATION. THE TECHNICAL DOCUMENTATION FOR THE MACHINERY IS AVAILABLE FROM:	Name: Address: Country:	Authorised Representative Service 77 Camden Street Lower Dublin D02 XE80 Ireland	
SIGNED FOR AND ON BEHALF OF: PLACE OF ISSUE: DATE OF ISSUE (DD/MM/YYYY): NAME: FUNCTION: SIGNATURE:		YELLOW AND BLACK TOOLS LTD. ROMSEY, UK. 07/06/2021 TIM BURGOYNE QA MANAGER 		